



Make It Your Own  
BY STEINHAFELS

## BEST LIFT RECLINERS

Best Chairs was founded in 1962 and is family-owned by the Lange family with headquarters and manufacturing facilities in Southern Indiana. The company's success story began with a very simple theme: make the best quality product at the most affordable price. Today their facilities cover over 1,100,000 square feet in five locations with over 1,000 employees and is growing to become one of the largest furniture manufacturers in the world. All Best chair styles are second-to-none for strength and durability. Solid wood construction guarantees consistent quality and product strength in all styles. The company remains committed to quality and the satisfaction of their customers.

### MAKE IT YOUR OWN!

All lift chairs from Best are stocked in the fabric shown. Customize Best lift chairs by special order, choosing from hundreds of covers (fabric, faux leather and leather) Not all options are available on all lift chairs.

### HOW TO ORDER

- 1 Choose Your Piece
- 2 Choose Your Fabric or Leather

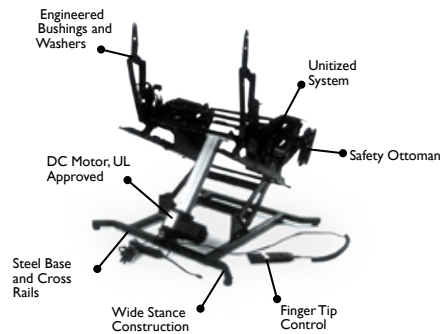
## POWER LIFT

### Recliners.

The only recliners worthy of being called Best.



25+ / 700+  
styles covers



- Finger tip motion control with infinite recline positions
- Maximum seat elevation with superb stability in full-lift position
- "The Ultimate" in reclining chairs as a true Space Saver®
- Maintenance free direct low-voltage motor, 24 volt DC, smooth quiet operation, UL approved
- Durable steel base and cross supports
- Convenient, removable backs for easy maneuverability
- Durable hardwood frame parts & premium cushioning fibers
- Over 700 covers to choose from!
- Two-Motor option with independent back & recline\*
- Power Tilt Headrest Option\*

\*See catalog for select options

CATALOGUE OPTIONS AVAILABLE – SEE SALES ASSOCIATE

PLEASE ALLOW AT LEAST 6 WEEKS FOR ARRIVAL OF SPECIAL ORDER