

LOMBARDY CHAISE SOFA

Jonathan Louis was founded in 1985 by two brothers who have a passion for fashion and comfort. Their fine furniture is made in the USA, in Gardena, California. Today, a second generation of family members source quality materials and helps to create their on-trend designs. All of this style combined with affordable prices makes Jonathan Louis a perfect choice for the value-conscious shopper!

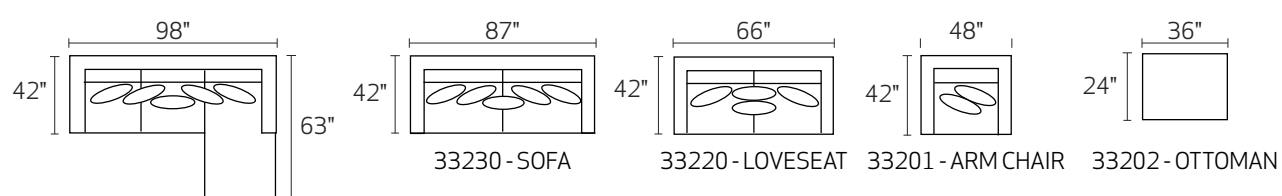
MAKE IT YOUR OWN!

The Lombardy chaise sofa is stocked in the fabrics shown. Customize the Lombardy by special order, choosing from a wide variety of fabrics located in the Design Center. Because Lombardy can be completely modular (each seat a separate piece), you can create the exact configuration you need to suit your room size/shape and seating needs!

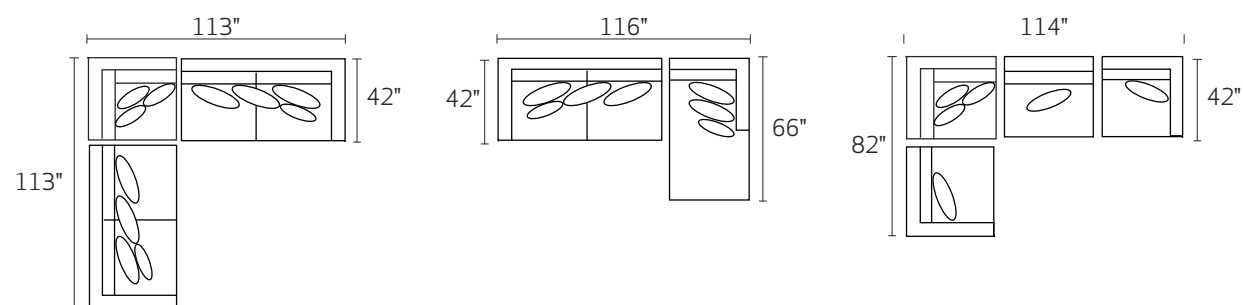
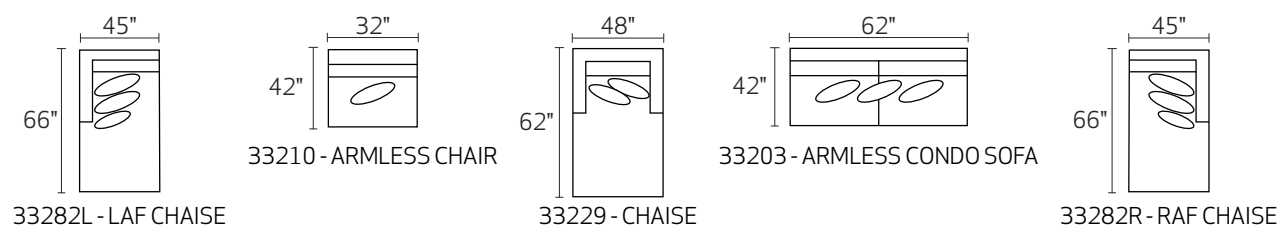
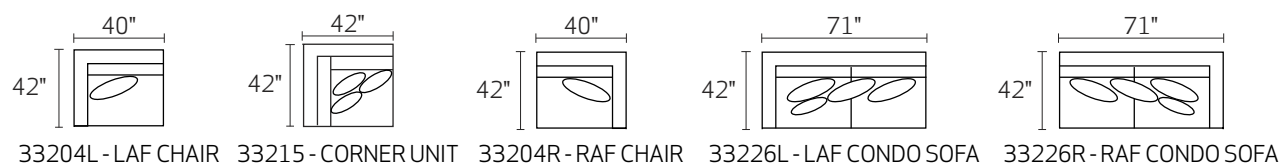
HOW TO ORDER

- 1 Choose Your Piece(s)
- 2 Choose Your Fabric

AVAILABLE PIECES AND CONFIGURATIONS



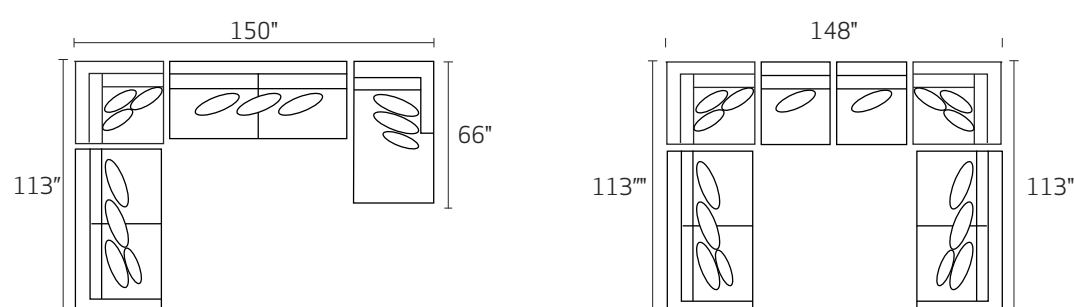
33290 - SOFA W/REV CHAISE
*Ships in TWO pieces 90A / 90B



-26L/-15/-26R

-26L/-82R

-04L/-15/-10/-04R



-26L/-15/-03/-82R

-26L/-15/-10/-10/-15/-26R

CATALOGUE OPTIONS AVAILABLE – SEE SALES ASSOCIATE

PLEASE ALLOW AT LEAST 8 WEEKS FOR ARRIVAL OF SPECIAL ORDER